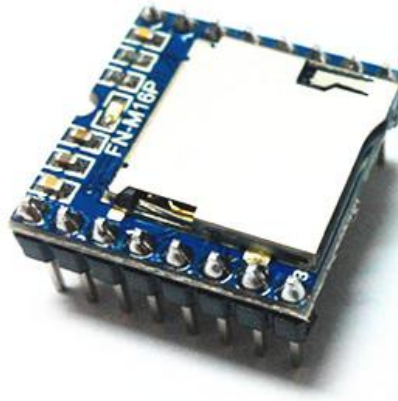


# FN-M16P Embedded MP3 Audio Module

## Datasheet

V1.0



### Contents

<b>1. Overviews.....</b>	<b>2</b>
1.1. Brief Introduction.....	2
1.2. Product Features.....	2
1.3. Technical Parameters.....	2
1.4. Naming Rules of Audio Files(Tracks) and Folders.....	2
<b>2. Pin Configuration and Summary.....</b>	<b>3</b>
<b>3. Serial Communication Protocol.....</b>	<b>4</b>
3.1. Serial Commands Format.....	4
3.2. About Checksum.....	4
3.3. Serial Commands.....	5
3.4. Examples of Sending Serial Commands.....	6
3.5. Returned Data from Module.....	8
3.6. Detailed Annotation of Serial Commands.....	10
3.7. Detailed Annotation of Main Query Commands.....	15
3.8. Examples of Serial Program.....	16
<b>4. ADkey Control.....</b>	<b>18</b>
<b>5. Application Circuits.....</b>	<b>19</b>
<b>6. Features of GPIO.....</b>	<b>21</b>
<b>7. PCB Size.....</b>	<b>21</b>



## 1.Overviews

### 1.1. Brief Introduction

FN-M16P is a serial MP3 module that is with a perfect integrated MP3 and WMV decoder chip. It provides micro SD card driver, and supports FAT16 and FAT32 file systems. It is able to play back specified sound files and realize other functions through simple serial commands. In the mean time, this module supports AD key control mode that facilitates users to develop their jobs in some simple applications. Without the cumbersome underlying operating, easy to use, stable and reliable are the most important features of this module.

### 1.2. Product Features

- Supports MP3 and WAV decoding.
- Supports FAT16 and FAT32 file system.
- 24-bit DAC output and supports dynamic range 90dB and SNR 85dB.
- Supports AD key control mode and UART RS232 serial control mode.
- Supports maximum 32GB micro SD card and 32GB USB flash drive.
- Supports maximum 3000 audio files in the root directory of the storage device.
- Supports maximum 99 folders, and each folder can stores 255 audio files.
- Supports inter-cut advertisements.
- Supports random playback.
- Built-in a 3 watts amplifier that can direct drive a 3 watts speaker.
- 30 levels adjustable volume, and 6 levels adjustable EQ.

### 1.3. Technical Parameters

Item	Description
MP3 Audio Format	Supports 11172-3 and ISO13813-3 layer3 audio decoding
	Supports sampling rate (KHZ):8/11.025/12/16/22.05/24/32/44.1/48
	Supports Normal, Jazz, Classic, Pop, Rock, etc.
USB Port	Standard USB 2.0
UART Port	Standard serial port and 3.3V TTL level;
Working Voltage	DC3.3~5.0V; Typical:DC4.2V
Rated Current	<15mA(without USB flash drive)
Operating Temperature	-40~+80℃
Humidity	5% ~95%

### 1.4. Naming Rules of Audio Files(Tracks) and Folders

1). Audio files directly stored in the root directory of the storage device(SD card or USB flash drive) need to be renamed as 0001.mp3/0001.wav, 0002.mp3/0002.wav, 0003.mp3/0003.wav, .....3000.mp3/3000.wav.

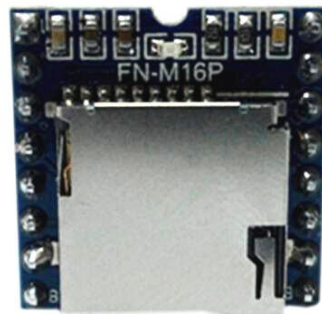
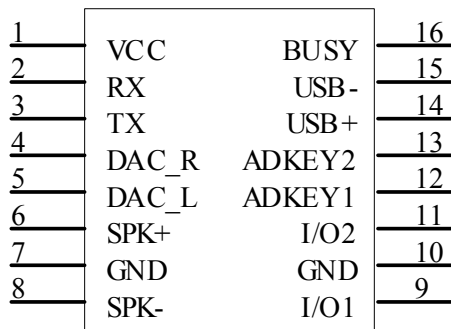
Here it works according to physical sequence when you copy the files from computer to SD card or USB flash drive.

For example, when the module receives a command to play the track 0001.mp3, it will play the 1<sup>st</sup> track you copied from computer, probably 0001.mp3 or not (maybe it would play 0007.mp3 if it was the first one you copied from computer). In order to avoid this problem, when you make the copy, rename the audio files firstly on computer and put all the renamed files in a one folder, then press “Ctrl+A” on the key board to select all, and press “Ctrl+C” to copy, and go back to the SD card or the USB flash drive, and press “Ctrl+V” to past all the files into the SD card or USB flash drive. Or users just directly give up this way and just move the audio files to folders and choose to control and play them in a folder as below.

2). Ordinary folders must be renamed as 01, 02, 03.....99, and the audio files must be renamed as 001.mp3/001.wav, 002.mp3/002.wav, 003.mp3/003.wav, .....255.mp3/255.wav. It is also possible to keep the original name when you rename a file. For example, the original name is “Yesterday Once More.mp3”, then you can rename it as “001Yesterday Once More.mp3”.

**Note: In addition, there are two special purposed folders “MP3” and “ADVERT” that can be chosen by users to use or not according to the actual needs. Audio files stored in these two folders need to be renamed as 0001.mp3/0001.wav, 0002.mp3/0002.wav, 0003.mp3/0003.wav, .....3000.mp3/3000.wav.**

## 2. Pin Configuration and Summary



No	Pin	Description	Note
1	VCC	DC3.2~5.0V	
2	RX	UART serial input	3.3V TTL level
3	TX	UART serial output	3.3V TTL level
4	DAC_R	Audio output right channel	Drive an earphone or connect to an external amplifier
5	DAC_L	Audio output left channel	
6	SPK2	Speaker-	Drive speaker less than 3W
7	GND	Ground	Power GND
8	SPK1	Speaker+	Drive speaker less than 3W
9	IO1	Trigger port 1	Short press to play previous ( long press to decrease volume )
10	GND	Ground	Power GND
11	IO2	Trigger port 2	Short press to play next ( long press to

			increase volume )
12	ADKEY1	AD Port 1	Trigger to play first segment
13	ADKEY2	AD Port 2	Trigger to play fifth segment
14	USB+	USB+ DP	USB Port(connected with a USB flash drive or connected to PC)
15	USB-	USB- DM	
16	Busy	Busy output	Low level when working, and high level when standby

### 3. Serial Communication Protocol

Serial port control mode is a common communication in the control field, based on which we conducted an industrial level of optimization by adding frame checksum, retransmission, error handling, and other measures to significantly strengthen the stability and reliability of communication. The default baud rate is 9600.

#### 3.1. Serial Commands Format

Supports asynchronous serial communication mode, via which accept serial commands sent by upper PC.

Communication Standard: 9600 bps

Data bits: 1

Checkout: none

Flow Control: none

Format: \$S	Ver.	Length	CMD	Feedback	Para_MSB	Param_LSB	Check_MSB	Check_LSB	\$O
\$S			Start byte 0x7E						
Ver.			Version 0xFF by default						
Length			Number of byte from version info to Check_LSB, typically 0x06 (checksum not counted)						
CMD			Command Code						
Feedback			0x01: Need feedback--send confirmation back to MCU; 0x00: No need feedback						
Para_MSB			Most significant byte of parameter						
Para_LSB			Least significant byte of parameter						
Check_MSB			Most significant byte of checksum						
Check_LSB			Least significant byte of checksum						
\$O			End byte 0xEF						

For example, if we specify playback of SD card, we need to send the command “7E FF 06 09 00 00 02 FF F0 EF”. The number is 6 bytes, and these 6 bytes are “FF 06 09 00 00 02”. Start byte, end byte and checksum are not counted.

#### 3.2. About Checksum

Regarding to calculating checksum, you can use the following formula to count.

$$\text{Checksum (2 bytes)} = 0xFFFF - (\text{CMD} + \text{Feedback} + \text{Para\_MSB} + \text{Para\_LSB}) + 1$$

Normally it's okay whether users choose to use checksum or not, our module can receive a serial data with or without checksum, but some of users use a MCU without crystal oscillator, so if in that case we strongly suggest users to add checksum to make sure the communication stability.

### 3.3. Serial Commands

#### 3.3.1. Control Commands

Command	Function Description	Note
0x01	Play Next	
0x02	Play Previous	
0x03	Specify playback of a track	See 3.6.1 for details
0x04	Increase volume	
0x05	Decrease volume	
0x06	Specify volume	See 3.6.2 for details
0x07	Specify EQ(0/1/2/3/4/5)	0:Normal/1:Pop/2:Rock/3:Jazz/4:Classic/5: Bass
0x08	Specify single repeat playback	See 3.6.3 for details
0x09	Specify playback of a device(USB/SD)	See 3.6.4 for details
0x0A	Set Sleep	
0x0B	N/A(Reserved)	
0x0C	Reset	
0x0D	Play	
0x0E	Pause	
0x0F	Specify playback a track in a folder	See 3.6.5 for details
0x10	Audio amplification setting	MSB=1:amplifying on, LSB:set gain 0-31
0x11	Set all repeat playback	See 3.6.6 for details
0x12	Specify playback of folder named "MP3"	See 3.6.7 for details
0x13	Inter cut an advertisement	See 3.6.8 for details
0x14	Specify playback a track in a folder that supports 3000 tracks	See 3.6.9 for details
0x15	Stop playing inter-cut advertisement and go back to play the music interrupted	See 3.6.10 for details
0x16	Stop	
0x17	Specify repeat playback of a folder	See 3.6.11 for details
0x18	Set random playback	See 3.6.12 for details
0x19	Set repeat playback of current track	See 3.6.13 for details
0x1A	Set DAC	See 3.6.14 for details

#### 3.3.2. Query Commands



Command	Function Description	Note
0x3C	N/A(Reserved)	
0x3D	N/A(Reserved)	
0x3E	N/A(Reserved)	
0x3F	Query current online storage device	See 3.7.1 for details
0x40	Module returns an error data with this command	
0x41	Module reports a feedback with this command	
0x42	Query current status	See 3.7.2 for details
0x43	Query current volume	
0x44	Query current EQ	
0x45	N/A(Reserved)	
0x46	N/A(Reserved)	
0x47	Query number of tracks in the root of USB flash drive	
0x48	Query number of tracks in the root of micro SD card	
0x49	N/A(Reserved)	
0x4A	N/A(Reserved)	
0x4B	Query current track in the USB flash drive	
0x4C	Query current track in the micro SD Card	
0x4D	N/A(Reserved)	
0x4E	Query number of tracks in a folder	See 3.7.3 for details
0x4F	Query number of folders in the current storage device	See 3.7.4 for details

### 3.4. Examples of Sending Serial Commands

Commands Description	Serial Commands [with checksum]	Serial Commands [without checksum]	Note
Play Next	7E FF 06 01 00 00 00 FE FA EF	7E FF 06 01 00 00 00 EF	
Play Previous	7E FF 06 02 00 00 00 FE F9 EF	7E FF 06 02 00 00 00 EF	
Specify playback of a track in the root directory	7E FF 06 03 00 00 01 FE F7 EF	7E FF 06 03 00 00 01 EF	Specify playback of the 1 <sup>st</sup> track
	7E FF 06 03 00 00 02 FE F6 EF	7E FF 06 03 00 00 02 EF	Specify playback of the 2 <sup>nd</sup> track
	7E FF 06 03 00 00 0A FE EE EF	7E FF 06 03 00 00 0A EF	Specify playback of the 10th track
Specify volume	7E FF 06 06 00 00 1E FE D7 EF	7E FF 06 06 00 00 1E EF	Specified volume is level 30
Specify EQ	7E FF 06 07 00 00 01 FE F3 EF	7E FF 06 07 00 00 01 EF	Specified EQ mode is POP
Specify single repeat playback	7E FF 06 08 00 00 01 FE F2 EF	7E FF 06 08 00 00 01 EF	Repeatedly play the 1 <sup>st</sup> track
	7E FF 06 08 00 00 02 FE F1 EF	7E FF 06 08 00 00 02 EF	Repeatedly play the 2nd track
	7E FF 06 08 00 00 0A FE E9 EF	7E FF 06 08 00 00 0A EF	Repeatedly play the 10th track
Specify playback of a device	7E FF 06 09 00 00 01 FE F1 EF	7E FF 06 09 00 00 01 EF	Specified device is USB flash drive
	7E FF 06 09 00 00 02 FE F0 EF	7E FF 06 09 00 00 02 EF	Specified device is micro SD



Set sleep mode	7E FF 06 0A 00 00 00 FE F1 EF	7E FF 06 0A 00 00 00 EF	
Reset	7E FF 06 0C 00 00 00 FE EF EF	7E FF 06 0C 00 00 00 EF	
Play	7E FF 06 0D 00 00 00 FE EE EF	7E FF 06 0D 00 00 00 EF	
Pause	7E FF 06 0E 00 00 00 FE ED EF	7E FF 06 0E 00 00 00 EF	
Specify playback of a folder	7E FF 06 0F 00 01 01 FE EA EF	7E FF 06 0F 00 01 01 EF	Specify track "001" in the folder "01"
	7E FF 06 0F 00 01 02 FE E9 EF	7E FF 06 0F 00 01 02 EF	Specify track "002" in the folder "01"
Set all repeat playback	7E FF 06 11 00 00 01 FE E9 EF	7E FF 06 11 00 00 01 EF	
Specify playback of folder named "MP3"	7E FF 06 12 00 00 01 FE E8 EF	7E FF 06 12 00 00 01 EF	Play track "0001" in the folder "MP3"
	7E FF 06 12 00 00 02 FE E7 EF	7E FF 06 12 00 00 02 EF	Play track "0002" in the folder "MP3"
	7E FF 06 12 00 00 FF FD EA EF	7E FF 06 12 00 00 FF EF	Play track "0255" in the folder "MP3"
	7E FF 06 12 00 07 CF FE 13 EF	7E FF 06 12 00 07 CF EF	Play track "1999" in the folder "MP3"
	7E FF 06 12 00 0B B8 FE 26 EF	7E FF 06 12 00 0B B8 EF	Play track "3000" in the folder "MP3"
Inter cut an advertisement	7E FF 06 13 00 00 01 FE E7 EF	7E FF 06 13 00 00 01 EF	Inter cut track "0001" in the folder "ADVERT"
	7E FF 06 13 00 00 02 FE E6 EF	7E FF 06 13 00 00 02 EF	Inter cut track "0002" in the folder "ADVERT"
	7E FF 06 13 00 00 FF FD E9 EF	7E FF 06 13 00 00 FF EF	Inter cut track "0255" in the folder "ADVERT"
Specify playback of a track in a folder that supports 3000 tracks	7E FF 06 14 00 10 FF FD D8 EF	7E FF 06 14 00 10 FF EF	Play track "0255" in the specified folder "01"
	7E FF 06 14 00 17 CF FE 01 EF	7E FF 06 14 00 17 CF EF	Play track "1999" in the specified folder "01"
	7E FF 06 14 00 C0 01 FE 26 EF	7E FF 06 14 00 C0 01 EF	Play track "0001" in the specified folder "12"
	7E FF 06 14 00 C0 FF FD 28 EF	7E FF 06 14 00 C0 FF EF	Play track "0255" in the specified folder "12"
	7E FF 06 14 00 C7 CF FD 51 EF	7E FF 06 14 00 C7 CF EF	Play track "1999" in the specified folder "12"
Stop playing inter-cut ad	7E FF 06 15 00 00 00 FE E6 EF		Go back and continue to play the music interrupted
Stop playback	7E FF 06 16 00 00 00 FE E5 EF		Stop software decoding
Specify repeat playback of a folder	7E FF 06 17 00 00 02 FE E2 EF	7E FF 06 17 00 00 02 EF	Specify repeat playback of the folder "02"
	7E FF 06 17 00 00 01 FE E3 EF	7E FF 06 17 00 00 01 EF	Specify repeat playback of the folder "01"
Set random playback	7E FF 06 18 00 00 00 FE E3 EF	7E FF 06 18 00 00 00 EF	
Set single repeat playback	7E FF 06 19 00 00 00 FE E2 EF	7E FF 06 19 00 00 00 EF	Turn on single repeat playback
	7E FF 06 19 00 00 01 FE E1 EF	7E FF 06 19 00 00 01 EF	Turn off single repeat playback
Set DAC	7E FF 06 1A 00 00 00 FE E1 EF	7E FF 06 1A 00 00 00 EF	Turn on DAC

	7E FF 06 1A 00 00 01 FE E0 EF	7E FF 06 1A 00 00 01 EF	Turn off DAC
Query current status	7E FF 06 42 00 00 00 FE B9 EF	7E FF 06 42 00 00 00 EF	
Query current volume	7E FF 06 43 00 00 00 FE B8 EF	7E FF 06 43 00 00 00 EF	
Query current EQ	7E FF 06 44 00 00 00 FE B7 EF	7E FF 06 44 00 00 00 EF	
Query number of tracks in the root of USB flash drive	7E FF 06 47 00 00 00 FE B4 EF	7E FF 06 47 00 00 00 EF	
Query number of tracks in the root of micro SD card	7E FF 06 48 00 00 00 FE B3 EF	7E FF 06 48 00 00 00 EF	
Query current track in the USB flash drive	7E FF 06 4B 00 00 00 FE B0 EF	7E FF 06 4B 00 00 00 EF	Query the track being played
Query current track in the micro SD card	7E FF 06 4C 00 00 00 FE AF EF	7E FF 06 4C 00 00 00 EF	Query the track being played
Query number of tracks in a folder	7E FF 06 4E 00 00 01 FE AC EF	7E FF 06 4E 00 00 01 EF	Query number of tracks in the folder "01".
	7E FF 06 4E 00 00 0B FE A2 EF	7E FF 06 4E 00 00 0B EF	Query number of tracks in the folder "11".
Query number of folders in the current storage device	7E FF 06 4F 00 00 00 FE AC EF	7E FF 06 4F 00 00 00 EF	

### 3.5. Returned Data from Module

#### 3.5.1 Returned data after the module is powered on

1). After the module is powered on, normally it needs about no more than 500ms to 1500ms (depending on the actual track quantities in the storage device) initialization time. Once the initialization is done, the module returns a data to MCU. If it does not return a data after more than the initialization time, it means there is an error for initialization, and please check the hardware connections.

2). The returned data from module after initialization means the current effective storage device/online equipment. For example, the module returns 7E FF 06 3F 00 00 03 xx xx EF. 0x3F is the returned command by module, and 0x03 represents USB flash drive and SD card are effective/online at the same time. See the details as below.

Online Equipment	Returned Data
USB flash drive online	7E FF 06 3F 00 00 01 xx xx EF
SD card online	7E FF 06 3F 00 00 02 xx xx EF
PC online	7E FF 06 3F 00 00 04 xx xx EF
USB flash drive and SD card online	7E FF 06 3F 00 00 03 xx xx EF

3). MCU can not send commands to control the module until the initialization of the module is done and a data is returned, otherwise the commands sent by MCU will be ignored and also this will effect initializing of the module.



### 3.5.2 Returned data after a track is finished playing

Track Played	Returned Data
1 <sup>st</sup> track is finished playing in USB flash drive	7E FF 06 3C 00 00 01 xx xx EF
2 <sup>nd</sup> track is finished playing in USB flash drive	7E FF 06 3C 00 00 02 xx xx EF
1 <sup>st</sup> track is finished playing in SD card	7E FF 06 3D 00 00 01 xx xx EF
2 <sup>nd</sup> track is finished playing in SD card	7E FF 06 3D 00 00 02 xx xx EF

1). There is a returned data after a track is finished playing. For example, the returned data is 7E FF 06 3C 00 00 01 xx xx EF. 0x3C represents USB flash drive and 0x3D represents SD card. 0x00 and 0x01 represents the 1<sup>st</sup> track. 0x01 and 0xF4 represents the 500<sup>th</sup> track(0x01F4=500).

2). Because all of the files(tracks) in the storage device are read in physical sequence, the returned data still follow the physical sequence, which needs to be noted.

### 3.5.3 Returned data of feedback from module

Module returns ACK	7E FF 06 41 00 00 00 xx xx EF
--------------------	-------------------------------

1). In order to enhance stability between data communication, the function of a feedback from module is added. Once there is a feedback to MCU from the module, it means the module has successfully received the command that MCU sent out. 0x41 is the returned command by module.

2). Users are free to choose this feedback or not. It's also fine not to choose this function.

### 3.5.4 Returned data of errors

Returned Data of Errors	Meaning Description
7E FF 06 40 00 00 01 xx xx EF	Module busy(this info is returned when the initialization is not done)
7E FF 06 40 00 00 02 xx xx EF	Currently sleep mode(supports only specified device in sleep mode)
7E FF 06 40 00 00 03 xx xx EF	Serial receiving error(a frame has not been received completely yet)
7E FF 06 40 00 00 04 xx xx EF	Checksum incorrect
7E FF 06 40 00 00 05 xx xx EF	Specified track is out of current track scope
7E FF 06 40 00 00 06 xx xx EF	Specified track is not found
7E FF 06 40 00 00 07 xx xx EF	Inter-cut error(a inter-cut operation only can be done when a track is being played)
7E FF 06 40 00 00 08 xx xx EF	SD card reading failed(SD card pulled out or damaged)



7E FF 06 40 00 00 0A xx xx EF	Entered into sleep mode
-------------------------------	-------------------------

When the module is powered on, it reads SD card first and if SD card is not available it goes to USB flash drive.

### 3.5.5 Returned data after a storage device is plugged in or pull out

Status	Returned Data
USB flash drive is plugged in	7E FF 06 3A 00 00 01 xx xx EF
SD card is plugged in	7E FF 06 3A 00 00 02 xx xx EF
USB cable connected to PC is plugged in	7E FF 06 3A 00 00 04 xx xx EF
USB flash drive is pulled out	7E FF 06 3B 00 00 01 xx xx EF
SD card is pulled out	7E FF 06 3B 00 00 02 xx xx EF
USB cable connected to PC is pulled out	7E FF 06 3B 00 00 04 xx xx EF

0x3A represents a device is plugged in while 0x3B represents a device is pull out. 0x01, 0x02, 0x04 represent USB flash drive, SD card and USB cable connected to PC respectively.

## 3.6. Detailed Annotation of Control Commands

### 3.6.1. Specify playback of a track(in the root directory of a storage device)

The available selective tracks is from 0001.mp3/wav to 3000.mp3/wav in the root directory of the storage device. Actually it can support more, but if we make it support more, the operation speed will become slow. Usually most of applications do not need to support much more files.

1).For example, select the first song played, and send the command 7E FF 06 03 00 00 01 FF E7 EF

7E --- Start byte

FF --- Version Information

06 --- Data length (checksum not included)

03 --- Actual command(specify playback of a track)

00 --- 0x01: need feedback, 0x00:no need feedback

00 --- Most significant byte of the track(MSB of Parameter)

01 --- Least significant byte of the track(LSB of Parameter)

FF --- Most significant byte of checksum(MSB of checksum)

E7 --- Least significant byte of checksum(LSB of checksum)

EF --- End byte

2).Regarding track selection, if choose the 100<sup>th</sup> song(track), firstly convert 100 to hexadecimal. It is double-byte by default, i.e. 0x0064. MSB=0x00; LSB=0x64

3).If you choose to play the 1000<sup>th</sup> song(track), firstly convert 1000 to hexadecimal. It is double-byte, i.e. 0x03E8. MSB=0x03; LSB=0xE8

4).And so on in the same way to the other operations, as in the embedded area hexadecimal is the most convenient operation method.

### 3.6.2. Specify volume

- 1).Our system power-on default volume is level 30, if you want to set the volume, then directly send the corresponding commands.
- 2).For example, if specify the volume to level 15, send the command 7E FF 06 06 00 00 0F FF D5 EF.
- 3).MSB=0x00; LSB=0x0F, 15 is converted to hexadecimal 0x000F.

### 3.6.3. Specify single repeat playback

Start repeatedly play the first track	7E FF 06 08 00 00 01 xx xx EF
Start repeatedly play the second track	7E FF 06 08 00 00 02 xx xx EF

- 1).We added this control command 0x08, to meet the needs that some users need single repeat playback.
- 2).During single repeat playback, you can still normally execute the operations Play/Pause, Previous, Next, Volume+/-, EQ and so on. You can specify single track playback or make it sleep to turn off single repeat playback status.

### 3.6.4. Specify playback of a device

Specify playback of USB flash drive	7E FF 06 09 00 00 01 FE F1 EF
Specify playback of SD card	7E FF 06 09 00 00 02 FE F0 EF

- 1).The module supports two types of playback devices(USB flash drive and SD card). The device must be on-line, so it can be specified playback. It automatically detects if a device is on-line or not. No need users' attention.
- 2).It automatically enters into the standby status after specifying a device, waiting MCU to specify a track to play. It takes about 200ms from specifying device to the module finishes initialization of file system. Please wait for 200ms and then send the specified command to play a track.

### 3.6.5. Specify playback of a track in a folder

Specify playback of track 001 in the folder 01	7E FF 06 0F 00 01 01 xx xx EF
Specify playback of track 100 in the folder 11	7E FF 06 0F 00 0B 64 xx xx EF
Specify playback of track 255 in the folder 99	7E FF 06 0F 00 63 FF xx xx EF

- 1).The default folders are named as "01", "11", "99" in this way. In order to be with a better system stability, it is made to support maximum 99 folders and maximum 255 tracks in each folder..
- 2).For example, if specify to play "100.mp3" in the folder "01", send the command 7E FF 06 0F 00 01 64 xx xx EF  
MSB: represents the name of the folder, maximum supports 99 folders from 01 - 99.  
LSB: represents the track, maximum supports 255 tracks from 0x01 to 0xFF.
- 3).You must specify both the folder and the file name to target a track. This feature supports MP3 and WAV audio formats.
- 4).The following two images illustrates the naming method of folders and files.



### 3.6.6. Set all repeat playback

Start all repeat playback	7E FF 06 11 00 00 01 xx xx EF
Stop all repeat playback	7E FF 06 11 00 00 00 xx xx EF

- 1). We added such a control command 0x11, to meet the needs that some users need repeated playback of all tracks in the root directory of a storage device.
- 2). During all repeat playback, you can still normally execute the operations Play/Pause, Previous, Next, Volume+/-, EQ and so on.
- 3). After starting all repeat playback, the module will play all the tracks in the device ceaselessly again and over again until it receives a command for stop or pause.

### 3.6.7. Specify playback of folder named "MP3"

Play track "0001" in the folder "MP3"	7E FF 06 12 00 00 01 FE E8 EF
Play track "0002" in the folder "MP3"	7E FF 06 12 00 00 02 FE E7 EF
Play track "0255" in the folder "MP3"	7E FF 06 12 00 00 FF FD EA EF
Play track "1999" in the folder "MP3"	7E FF 06 12 00 07 CF FE 13 EF
Play track "3000" in the folder "MP3"	7E FF 06 12 00 0B B8 FE 26 EF

- 1). We extended such single folder function on the basis of specifying playback of folders. The folder must be named "MP3".
- 2). This special folder supports max. 65536 songs(tracks), but the operation speed will get slow along with the folder become large, so we suggest users put no more than 3000 songs(tracks) in this folder. Audio files need to be renamed as 0001.mp3/0001.wav, 0002.mp3/0002.wav, 0003.mp3/0003.wav, .....3000.mp3/3000.wav in this folder as shown below.



### 3.6.8. Inter cut an advertisement in folder “ADVERT”

Inter cut track "0001" in the folder “ADVERT”	7E FF 06 13 00 00 01 FE E7 EF
Inter cut track "0002" in the folder “ADVERT”	7E FF 06 13 00 00 02 FE E6 EF
Inter cut track "0255" in the folder “ADVERT”	7E FF 06 13 00 00 FF FD E9 EF
Inter cut track "1999" in the folder “ADVERT”	7E FF 06 13 00 07 CF FE 12 EF
Inter cut track "3000" in the folder “ADVERT”	7E FF 06 13 00 0B B8 FE 25 EF

1). This module supports inter-cut advertisements during playback of a track, so that it can meet some special needs for some applications.

2). After sending the command 0x13, the system will save the IDV3 information of the track being played and pause, then it will play the specified inter-cut track(advertisement). When the inter-cut track is finished, the system will go back and continue to play the track that was interrupted until to the end.

3). The setting method is to build a folder named “ADVERT” in the storage device, and put the tracks(ads) you need in the folder, and rename the files as “0001.mp3/wav”, 0002.mp3/wav.

4). If you send an inter-cut command when the module is at Pause status or Stop status, it will not work and there will be an returned error information. In the course of an inter-cut, you can continue to inter cut the other tracks(ads). When the last inter-cut track goes to the end, the system still goes back to the IDV3 position saved at the first time.

5). Audio files stored in this special folder need to be renamed as 0001.mp3/0001.wav, 0002.mp3/0002.wav, 0003.mp3/0003.wav, .....3000.mp3/3000.wav as shown below.



### 3.6.9. Specify playback of a track in a folder that supports 3000 tracks

Play track "0255" in the specified folder “01”	7E FF 06 14 00 10 FF FD D8 EF
Play track "1999" in the specified folder “01”	7E FF 06 14 00 17 CF FE 01 EF
Play track "0001" in the specified folder “12”	7E FF 06 14 00 C0 01 FE 26 EF
Play track "0255" in the specified folder “12”	7E FF 06 14 00 C0 FF FD 28 EF
Play track "1999" in the specified folder “12”	7E FF 06 14 00 C7 CF FD 51 EF

In order to meet some users’ needs that each folder is able to manage more tracks, we specially added this command for users to use. It supports max. 15 folders only(from folder 01 to folder 15), and each folder can store 3000 tracks.

1). The command byte is 0x14.

2).For example, if we specify playback of track “1999” in the folder “12”, we need to send the serial command

7E FF 06 14 00 C7 CF FD 51 EF.

0xC7 and 0xCF are parameter, and the combined data is 0xC7CF, and totally 16 bytes.

The high 4 bytes represent the folder name; C here means the folder “12”.

The low 12 bytes represent the file name; 7CF here means the file “1999”.

3).Audio files stored in these folders need to be renamed as 0001.mp3/0001.wav, 0002.mp3/0002.wav, 0003.mp3/0003.wav, .....3000.mp3/3000.wav as shown below.



### 3.6.10. Stop

Stop playing advertisement	7E FF 06 15 00 00 00 FE E6 EF
Stop all playback tasks	7E FF 06 16 00 00 00 FE E5 EF

1).During playback of the module, there is two modes to stop. One is to stop playing the inter-cut advertisement, and go back and continue to play the music interrupted, and the other mode is to stop all playback(stop decoding).

2).For example, suppose the module is playing an inter-cut advertisement, and now if send a stop command 0x16, it will stop all playback tasks.

### 3.6.11. Specify repeat playback of a folder

Specify repeat playback of the folder “02”	7E FF 06 17 00 00 02 FE E2 EF
Specify repeat playback of the folder “01”	7E FF 06 17 00 00 01 FE E3 EF

1).The folder names must be 01-99, and no more than 99.

2).After sending the command, it repeatedly plays the tracks in the specific folder, and it will not stop until it receives a command to stop.

### 3.6.12. Set random playback

Random playback of the whole storage device	7E FF 06 18 00 00 00 FE E3 EF
---	-------------------------------

1).This command is used to randomly play sound files in the storage device according to physical sequence and no matter if there is a folder or not in the device. The first sound file that is conducted to be played is the first one in the device.

### 3.6.13. Set repeat playback of current track

Turn on single repeat playback	7E FF 06 19 00 00 00 FE E2 EF
Turn off single repeat playback	7E FF 06 19 00 00 01 FE E1 EF

1).During playback, send the turn-on command, and it will repeatedly play the current track. If the module is at Pause or Stop status, it will not respond to this command.

2).If you need to turn off repeat playback, just send the turn-off command.

### 3.6.14. Set DAC

Turn on DAC	7E FF 06 1A 00 00 00 FE E1 EF
Turn off DAC(high resistance)	7E FF 06 1A 00 00 01 FE E0 EF

When the module is powered on, DAC is turned on by default. It is not turned off until it is set up by sending the command.

## 3.7. Detailed Annotation of Main Query Commands

### 3.7.1 Query current online storage device

Query current online storage device	7E FF 06 3F 00 00 00 FE BC EF
-------------------------------------	-------------------------------

When the module is working, users can use the command as above (0x3F) to query the status of the online storage devices. For example, if the module returns the data 7E FF 06 3F 00 00 0A xx xx EF, LSB 0x0A(0000 1010) represents SD card online. If LSB is 0x1F(0000 1111), it represents all of USB flash drive, SD card, and PC online(PC online means module is connecting with PC via a USB cable).

### 3.7.2 Query current status

Query current status	7E FF 06 42 00 00 00 FE B9 EF
----------------------	-------------------------------

1)There are 4 status(playing, paused playing, stopped playing, and in sleep) that can be queried during the module is decoding. Users can query the current status via sending the command as above(0x42).

2). Interpretation of returned data

Returned Data	Status
7E FF 06 42 00 01 01 xx xx EF	A track in USB flash drive is being played
7E FF 06 42 00 02 02 xx xx EF	A track in SD card is paused playing
7E FF 06 42 00 01 00 xx xx EF	A track in USB flash drive is stopped playing
7E FF 06 42 00 10 00 xx xx EF	Module in sleep

3). MSB and LSB Representations

MSB Representation		LSB Representation	
0x01	USB flash drive	0x00	Stopped
0x02	SD card	0x01	Playing
0x10	Module in sleep mode	0x02	Paused

### 3.7.3 Query number of tracks in a folder

Query number of tracks in folder 01	7E FF 06 4E 00 00 01 FE AC EF
Query number of tracks in folder 11	7E FF 06 4E 00 00 0B FE A2 EF

If the folder queried is empty without any files, the module will report an error, and the data 7E FF 06 40 00 00 06 FE B5 EF will be returned.

### 3.7.4 Query number of folders in the current storage device

Query number of folders in the current storage device	7E FF 06 4F 00 00 00 FE AC EF
---	-------------------------------

Users can query the total folder numbers of the current storage device through sending the command above. This just supports to query the folder numbers in the root directory of the device. Not possible to query the sub-folder numbers (Please don't build any sub-folders in a folder).

## 3.8. Example of Serial Program

Code example: specify playback of a track

```

/*****
- 实现功能：实现芯片上电分别指定播放第一曲和第二曲，基本的程序供用户测试
- 运行环境：STC 晶振：11.0592M 波特率:9600
- 备注：在普中科技的51开发板上调试 OK --- STC89C516RD+
1、该测试程序必须是模块或者芯片方案中有设备在线，譬如U盘、TF卡
*****/

#include "REG52.h"

#define COMM_BAUD_RATE 9600 //串口波特率
#define OSC_FREQ 11059200 //运行晶振：11.05926MHZ
static INT8U Send_buf[10] = {0};

void Delay_Ms(INT32U z)
{
    INT32U x=0, y=0;
    for(x=110; x>0; x--)
        for(y=z; y>0; y--);
}

/*****
- 功能描述：串口1初始化
- 注：设置为9600波特率
*****/

```





```

*****/
void Serial_init(void)
{
    TMOD = 0x20;           // 设置 T1 为波特率发生器
    SCON = 0x50;          // 0101,0000 8 位数据位, 无奇偶校验
    PCON = 0x00;          //PCON=0;
    TH1=256-(OSC_FREQ/COMM_BAUD_RATE/32/12); //设置为 9600 波特率
    TL1=256-(OSC_FREQ/COMM_BAUD_RATE/32/12);
    TR1    = 1;           //定时器 1 打开
    REN    = 1;           //串口 1 接收使能
    ES     = 1;           //串口 1 中断使能
}

```

```

void Uart_PutByte(INT8U ch)
{
    SBUF = ch;
    while(!TI){;}
    TI = 0;
}

```

```

/*****
- 功能描述: 串口向外发送命令[包括控制和查询]
- 参数说明: CMD:表示控制指令, 请查阅指令表, 还包括查询的相关指令
            feedback:是否需要应答[0:不需要应答, 1:需要应答]
            data:传送的参数
*****/

```

```

void SendCmd(INT8U len)
{
    INT8U i = 0 ;
    Uart_PutByte(0x7E); //起始
    for(i=0; i<len; i++)//数据
    {
        Uart_PutByte(Send_buf[i] );
    }
    Uart_PutByte(0xEF) ;//结束
}

```

```

/*****
- 功能描述: 求和校验
- 和校验的思路如下:
    发送的指令, 去掉起始和结束。将中间的 6 个字节进行累加, 最后取反码。接收端就将接收到的一帧数据, 去掉起始和结束。
    将中间的数据累加, 再加上接收到的校验字节。刚好为 0.这样就代表接收到的数据完全正确。
*****/

```

```

void DoSum( INT8U *Str, INT8U len)
{
    INT16U xorsum = 0;
    INT8U i;
    for(i=0; i<len; i++)
    {
        xorsum = xorsum + Str[i];
    }
    xorsum = 0 -xorsum;
    *(Str+i) = (INT8U)(xorsum >>8);
    *(Str+i+1) = (INT8U)(xorsum & 0x00ff);
}

```

```

void Uart_SendCMD(INT8U CMD ,INT8U feedback , INT16U dat)

```

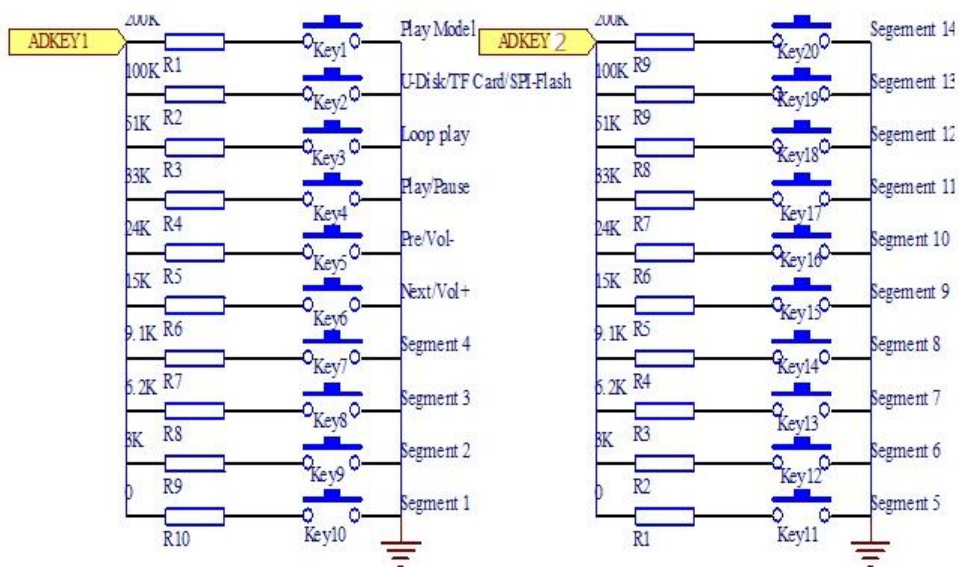
```

{
    Send_buf[0] = 0xff;    //保留字节
    Send_buf[1] = 0x06;    //长度
    Send_buf[2] = CMD;     //控制指令
    Send_buf[3] = feedback;//是否需要反馈
    Send_buf[4] = (INT8U)(dat >> 8);//datah
    Send_buf[5] = (INT8U)(dat);    //datal
    DoSum(&Send_buf[0],6);    //校验
    SendCmd(8);    //发送此帧数据
}

void main()
{
    Serial_init() ;//串口寄存器的初始化设置
    Uart_SendCMD(0x03 , 0 , 0x01) ;//播放第一首
    Delay_Ms(1000) ;//延时大概 6S
    Uart_SendCMD(0x03 , 0 , 0x02) ;//播放第二首
    Delay_Ms(1000) ;//延时大概 6S
    Uart_SendCMD(0x03 , 0 , 0x04) ;//播放第四首
    while(1) ;
}

```

### 4. ADkey Control



Key	Short Press	Long Press	Description
K1	Play Mode		Switch to interrupted / non-interrupted
K2	Switching of playback devices		USB/micro SD
K3	Operating Mode		All repeat playback
K4	Play/Pause		
K5	Previous	Vol+	
K6	Next	Vol-	
K7	4	Repeat playback track 4	Long push always to repeat playback

K8	3	Repeat playback track 3	Long push always to repeat playback
K9	2	Repeat playback track 2	Long push always to repeat playback
K10	1	Repeat playback track 1	Long push always to repeat playback
K11	5	Repeat playback track 5	Long push always to repeat playback
K12	6	Repeat playback track 6	Long push always to repeat playback
K13	7	Repeat playback track 7	Long push always to repeat playback
K14	8	Repeat playback track 8	Long push always to repeat playback
K15	9	Repeat playback track 9	Long push always to repeat playback
K16	10	Repeat playback track 10	Long push always to repeat playback
K17	11	Repeat playback track 11	Long push always to repeat playback
K18	12	Repeat playback track 12	Long push always to repeat playback
K19	13	Repeat playback track 13	Long push always to repeat playback
K20	14	Repeat playback track 14	Long push always to repeat playback

### 5. Application Circuits

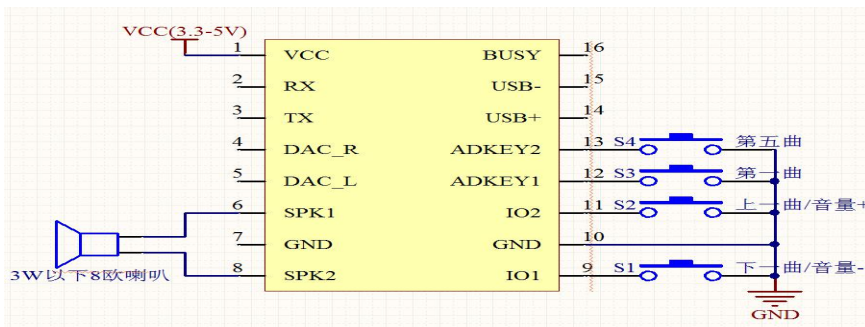


Figure 5-1: Connect speaker and key control

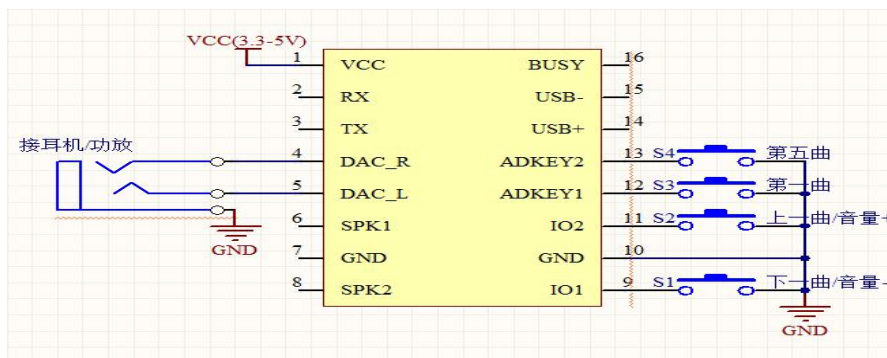


Figure 5-2: Connect earphone/amplifier and key control

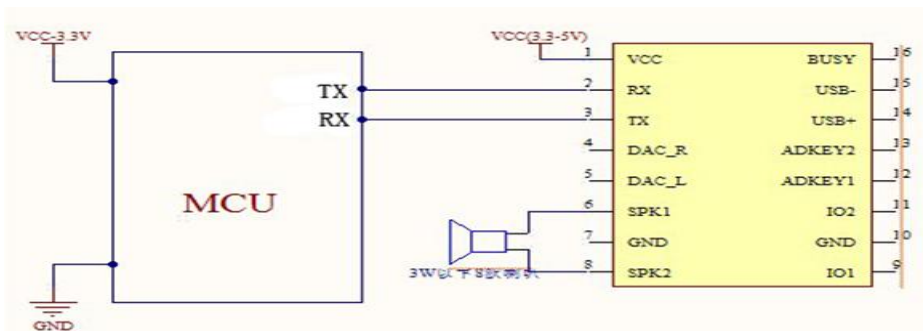


Figure 5-3: Connect 3.3V MCU and speaker

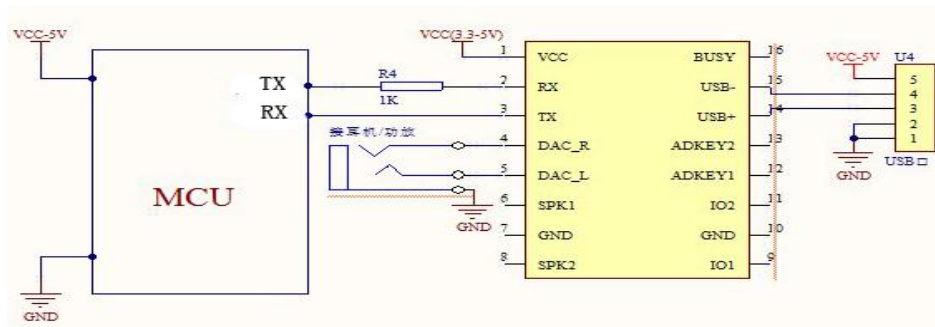


Figure 5-4: Connect 5V MCU and earphone/amplifier

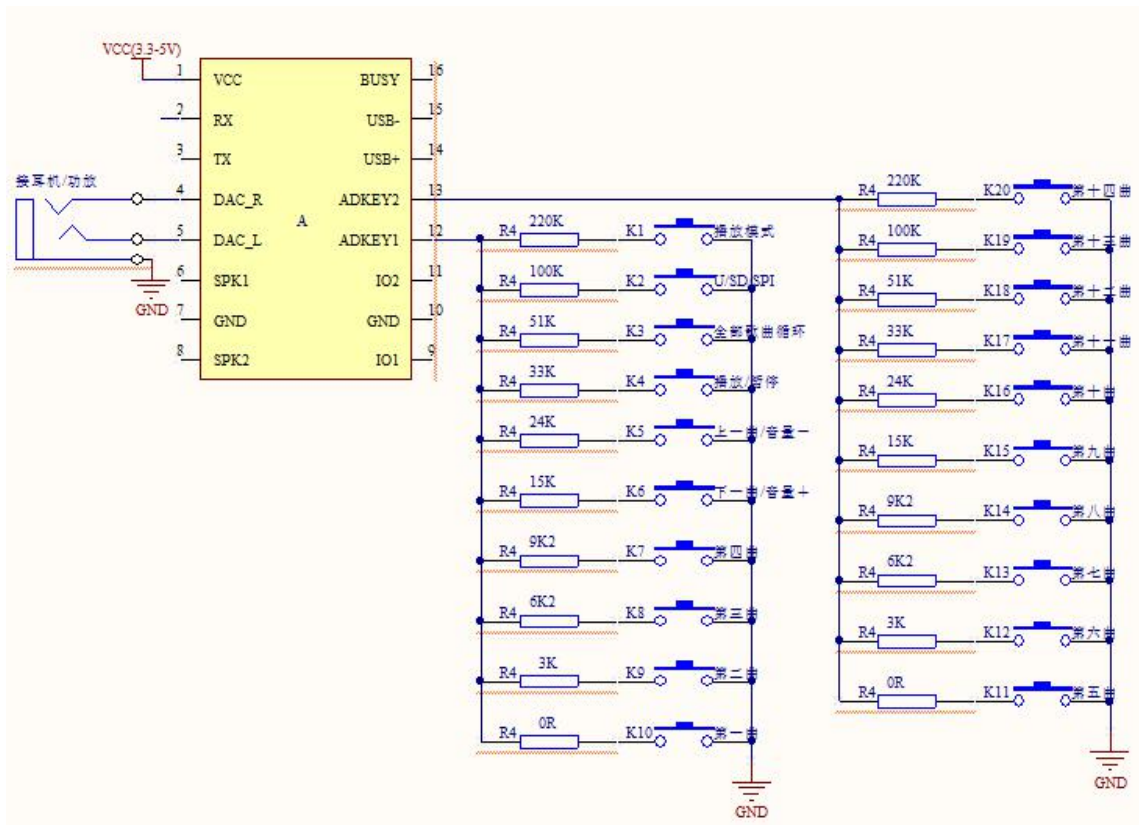


Figure 5-5: Connect AD key control, earphone/amplifier and micro SD card

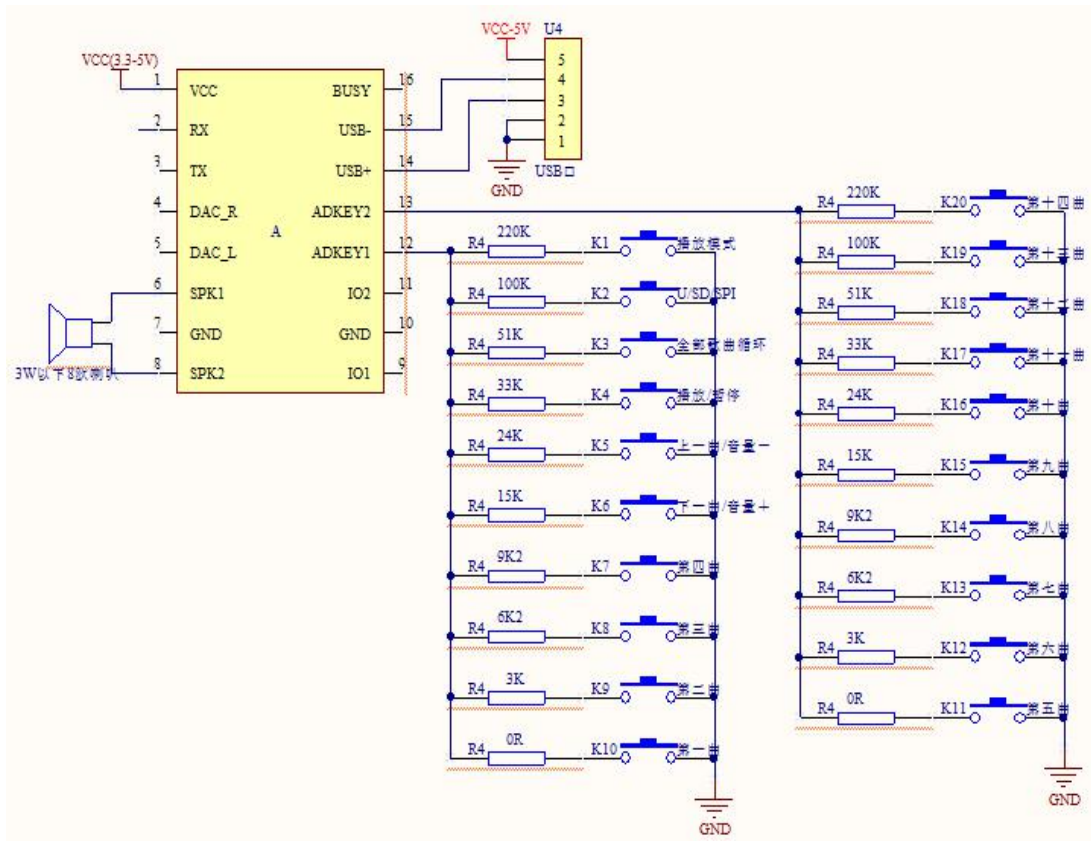


Figure 5-6: Connect AD key control, speaker and USB port

## 6. Features of GPIO

I/O Input Features						
Item	Description	Min	Typical	Max	Unit	Test Condition
VIL	Low-Level Input Voltage	-0.3	-	0.3*VDD	V	VDD=3.3V
VIH	High-Level Input Voltage	0.7VDD	-	VDD+0.3	V	VDD=3.3V
I/O Output Features						
Item	Description	Min	Typical	Max	Unit	Test Condition
VOL	Low-Level Output Voltage	-	-	0.33	V	VDD=3.3V
VOH	High-Level Output Voltage	2.7	-	-	V	VDD=3.3V

## 7. PCB Size (unit: mm)

